

Service Schematics

NOKIA 6710 Navigator

RM-491

Introduction

IMPORTANT:

This document is intended for use by authorized NOKIA service centers only.

“Service Schematics” was created with focus on customer care.
The purpose of this document is to provide further technical repair information for NOKIA mobile phones on Level 3/4 service activities.
It contains additional information such as e.g. “Component finder”.

Saving process time and improving the repair quality is the aim of this document.
It is to be used additionally to the service manual and other training or service information such as Service Bulletins.

While every endeavour has been made to ensure the accuracy of this document, some errors may exist. If the reader finds any errors, NOKIA shall be notified in writing.

Please send E-Mail to: TrainingAndVendor.Development@nokia.com

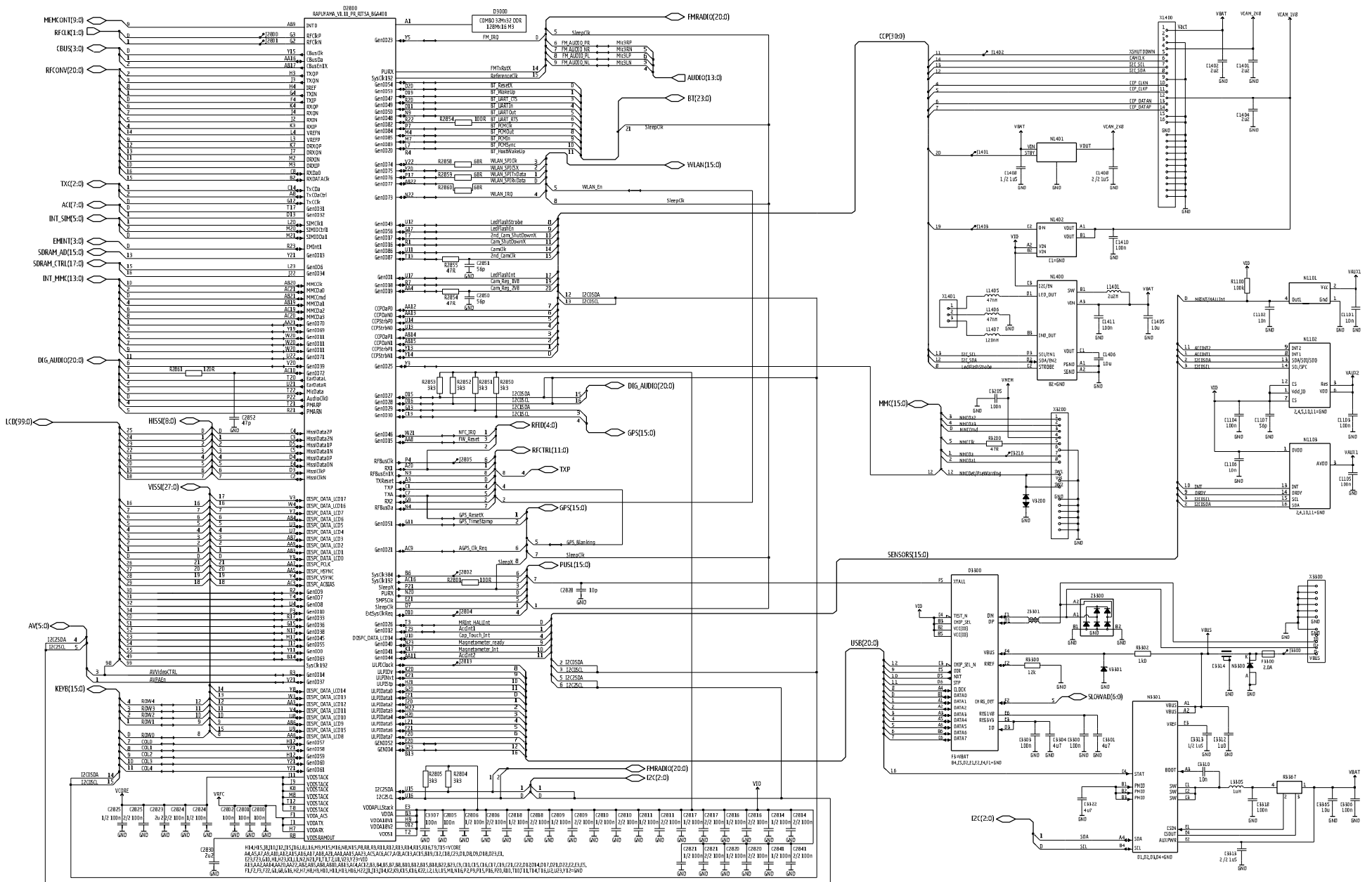


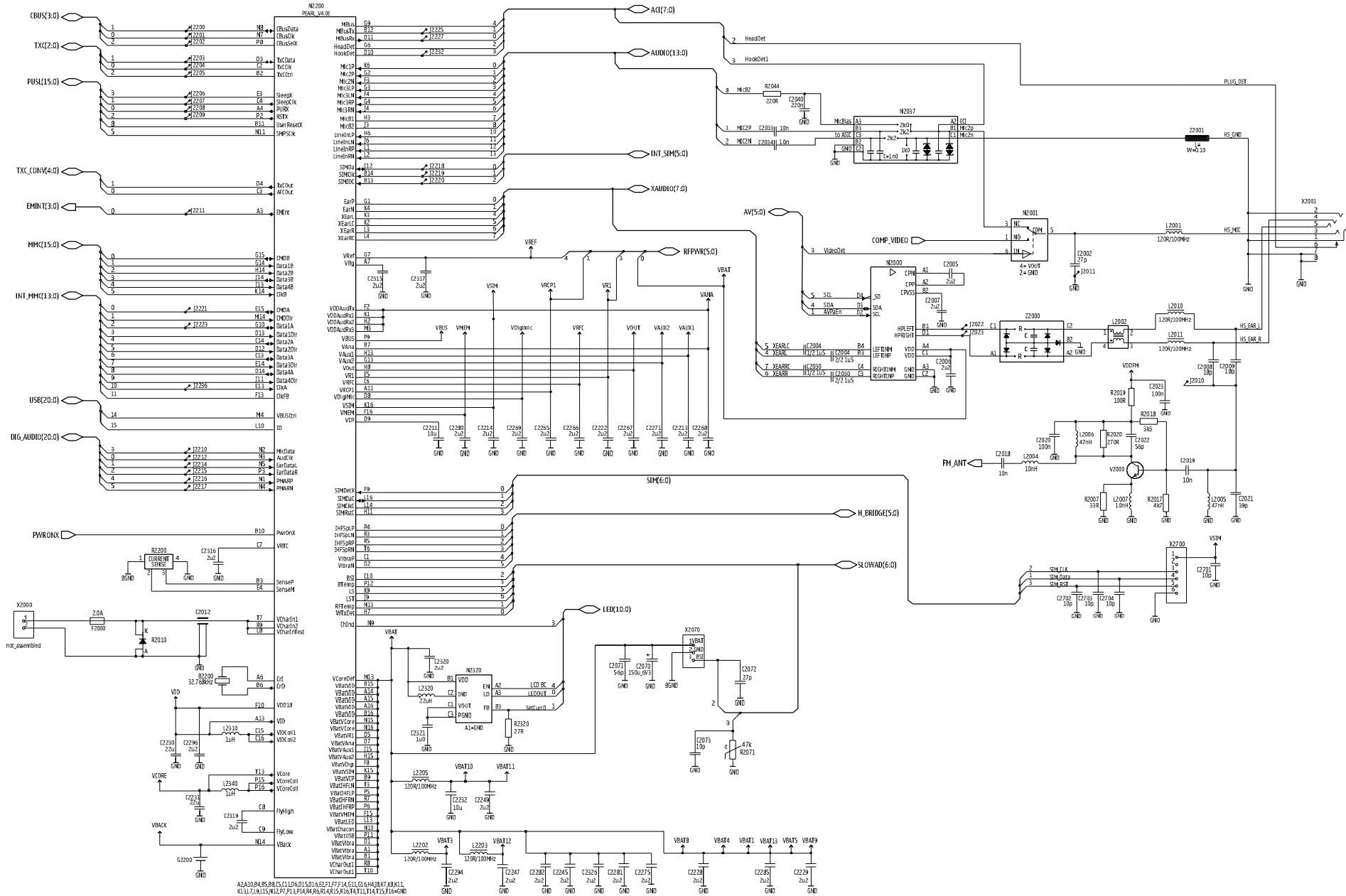
Table of Contents

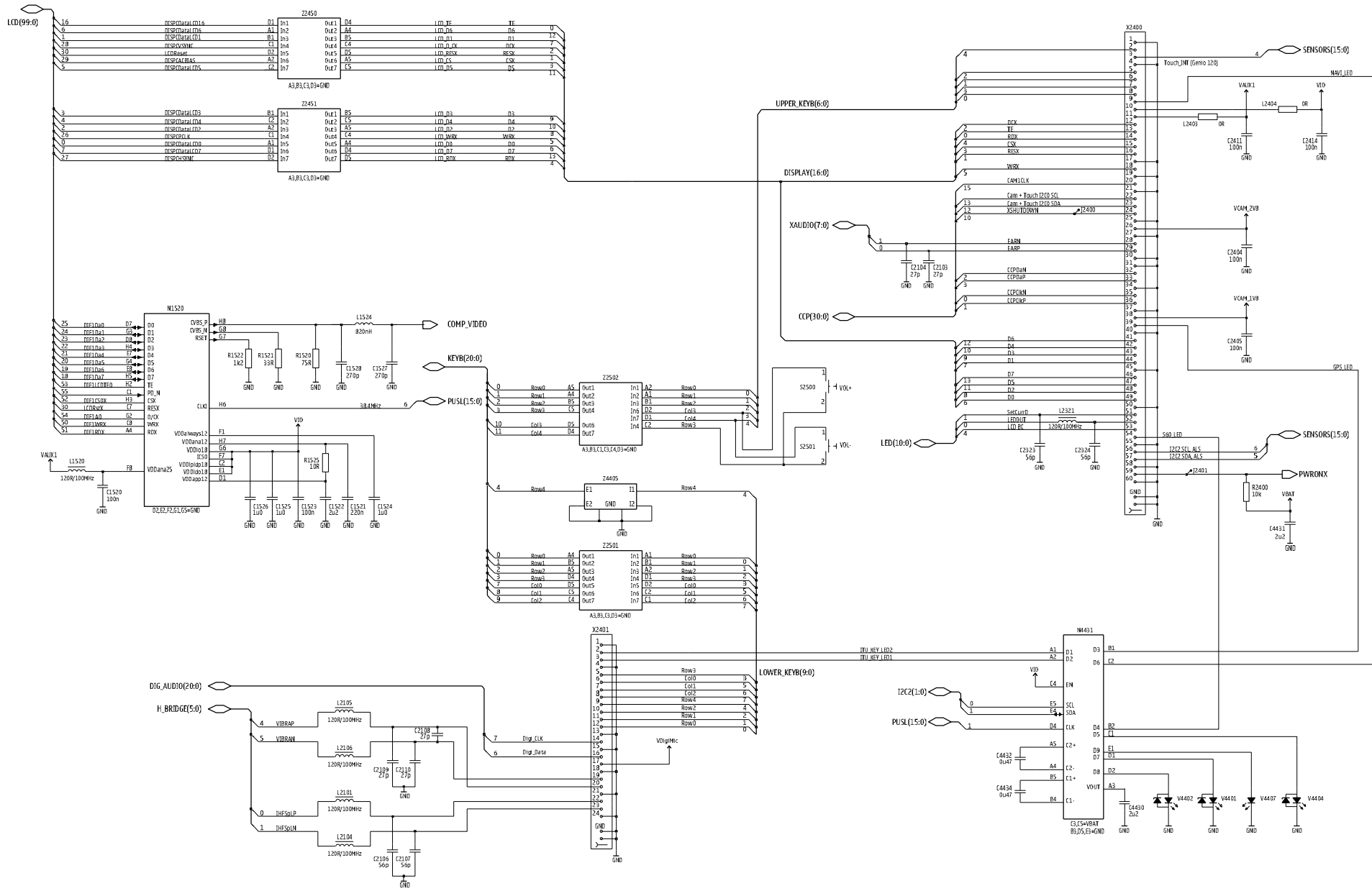
Front page	1
RAPU, Memory, Camera, USB, MMC, Sensors	2
Pearl, AV Connector, Video, SIM, Battery	3
Display, TV Out, User Interface	4
BTHFM, WLAN, GPS	5
RF part	6
Component finder	7

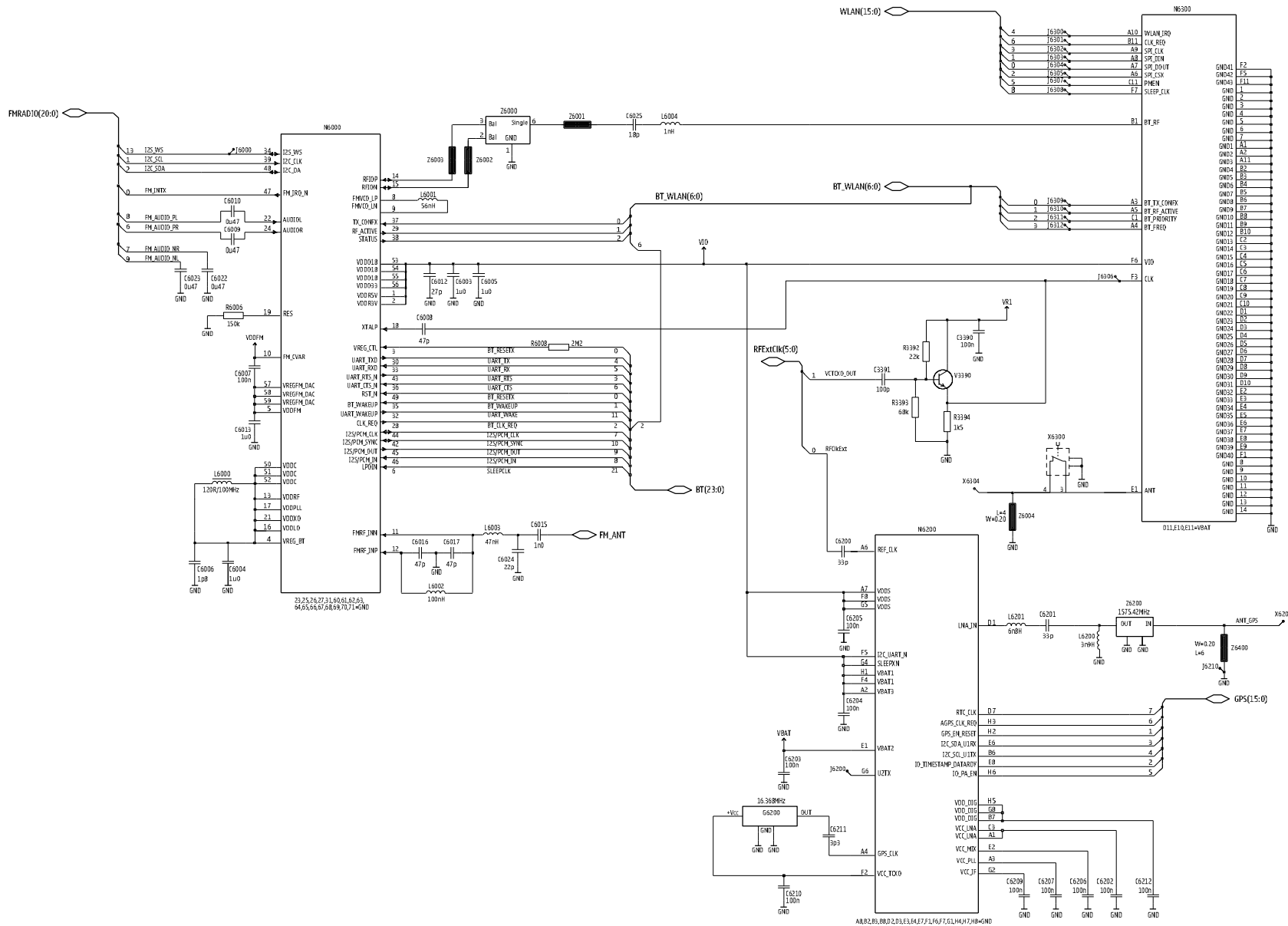
Copyright © NOKIA

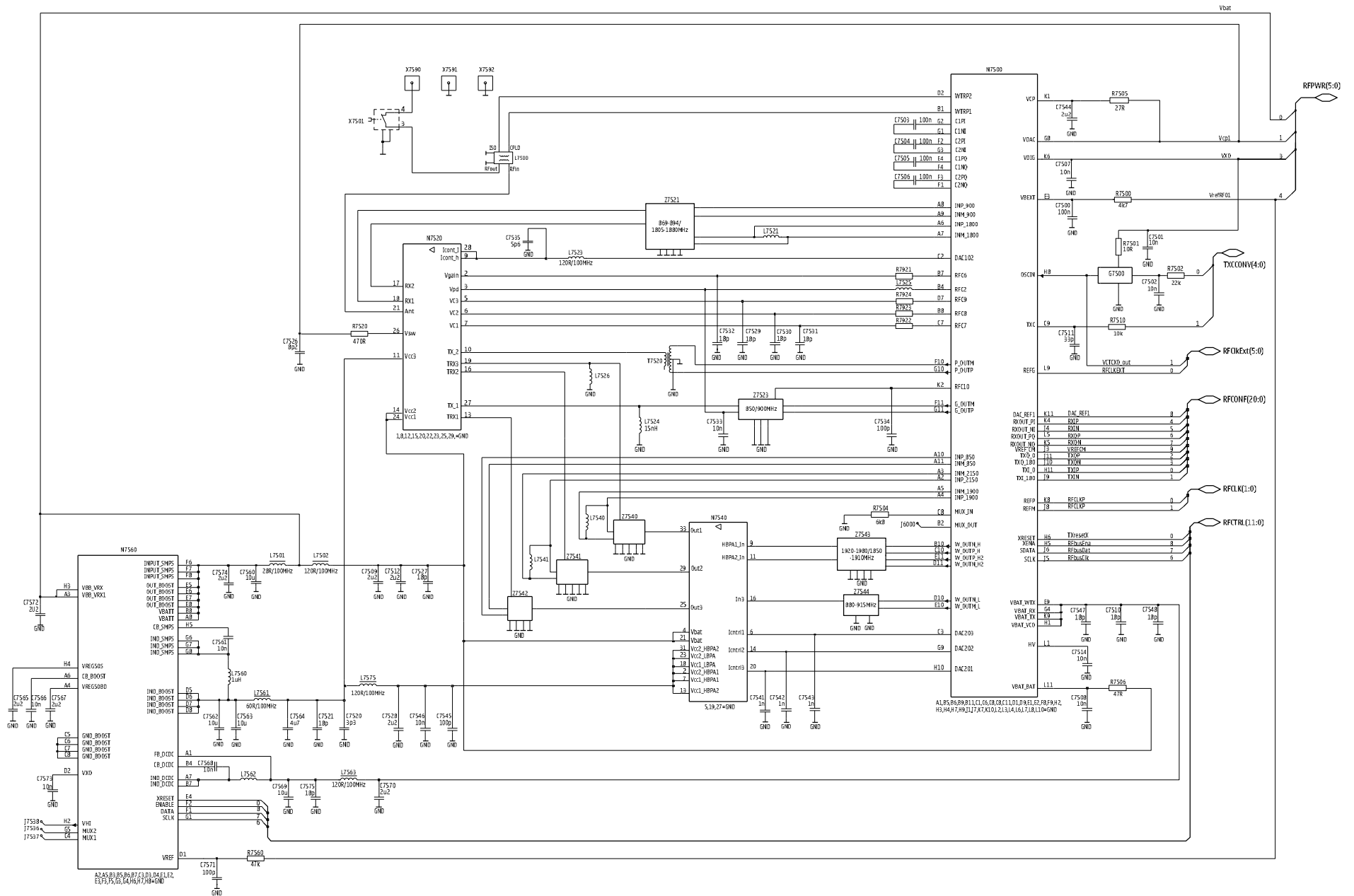
This material, including documentation and any related computer programs is protected by copyright, controlled by NOKIA. All rights are reserved. Copying, including reproducing, modifying, storing, adapting or translating any or all of this material requires the prior written consent of NOKIA. This material also contains company confidential information, which may not be disclosed to others without the prior written consent of NOKIA.











A	C2106	B9	C2823	D6	C7502	G5	L1401	I15	N2037	D16	R7506	E5	
A1400	H15	C2107	B9	C2824	E6	C7503	H3	L1405	G15	N2200	C8	R7510	G5
A1520	H9	C2108	C9	C2825	D6	C7504	H3	L1406	G15	N2320	C6	R7520	D5
A2800	D8	C2109	C9	C2828	E9	C7505	G3	L1407	G15	N3300	B15	R7560	B4
A3300	F11	C2110	B9	C2830	G8	C7506	G3	L1520	H11	N3301	F11	R7921	F5
A3390	I5	C2211	C9	C2841	F6	C7507	H4	L1524	D16	N4431	I9	R7922	F4
A6000	E17	C2213	C7	C2850	F9	C7508	H5	L2001	D16	N6000	E17	R7923	F5
A6500	H12	C2214	B7	C2851	F9	C7509	C3	L2002	G16	N6200	H14	R7924	F5
A7500	E4	C2222	C9	C2852	F9	C7510	H5	L2004	D17	N6300	F15	S	
B	C2228	C7	C3205	B11	C7511	G5	L2005	D16	N7500	H4	S2500	I15	
B2200	C8	C2229	C9	C3300	E11	C7512	E3	L2006	D17	N7520	C5	S2501	I12
C	C2230	D6	C3301	E11	C7514	H4	L2007	D17	N7540	E4	T		
C1101	B10	C2231	B7	C3303	E11	C7520	C4	L2010	G16	N7560	B4	T7520	G5
C1102	B10	C2232	B8	C3304	E11	C7521	D4	L2011	G16	R	V		
C1103	I7	C2245	B8	C3306	E11	C7526	E5	L2101	B9	R1100	B10	V2000	D16
C1104	I7	C2247	C8	C3307	E10	C7527	C4	L2104	B9	R1520	H11	V3200	D11
C1105	B16	C2249	B9	C3310	F11	C7528	E3	L2105	C9	R1521	H11	V3301	E11
C1106	B16	C2265	C7	C3312	G11	C7529	D5	L2106	C9	R1522	H11	V3390	I5
C1107	I7	C2266	D8	C3313	G10	C7530	D5	L2202	C9	R1525	I10	V4401	I14
C1401	D13	C2267	B9	C3314	B16	C7531	D5	L2203	D8	R2007	D17	V4402	I13
C1402	D13	C2268	C8	C3318	F10	C7532	D5	L2205	B8	R2010	C17	V4404	I11
C1404	H13	C2269	C9	C3322	F11	C7533	D5	L2310	C7	R2017	D16	V4407	D17
C1405	H15	C2271	C7	C3365	G10	C7534	F5	L2320	B6	R2018	D16	X	
C1406	H15	C2280	C7	C3390	I5	C7535	F3	L2321	C14	R2019	C17	X1400	E13
C1408	E11	C2281	B8	C3391	I4	C7541	F5	L2340	B7	R2020	D17	X1401	H14
C1410	F11	C2282	B7	C4430	I9	C7542	F5	L2403	C15	R2044	B9	X2001	E16
C1411	H15	C2285	C9	C4431	I8	C7543	F3	L2404	C15	R2060	E9	X2060	I16
C1520	H11	C2294	C9	C4432	I9	C7544	H3	L3305	F10	R2061	H8	X2070	C2
C1521	I11	C2296	D8	C4434	I8	C7545	E5	L6000	E17	R2071	B11	X2400	C15
C1522	H10	C2315	C8	C6003	E17	C7546	F3	L6001	F17	R2200	C2	X2401	H7
C1523	I11	C2316	C9	C6004	E17	C7547	H3	L6002	F17	R2320	C14	X2420	I2
C1524	I10	C2317	B9	C6005	E17	C7548	H4	L6003	F17	R2400	D14	X2421	B2
C1525	H10	C2319	D7	C6006	F16	C7560	B5	L6004	G16	R2801	E9	X2700	C15
C1526	H10	C2320	C6	C6007	F17	C7561	B5	L6200	I13	R2804	F11	X3200	C13
C1527	D16	C2321	C7	C6008	F16	C7562	B5	L6201	I13	R2805	F11	X3300	A15
C1528	D16	C2323	C14	C6009	F16	C7563	B5	L7500	D3	R2850	H13	X6300	H15
C2002	C16	C2324	D14	C6010	E16	C7564	C5	L7501	A5	R2851	H14	X7501	D3
C2004	G15	C2326	C7	C6012	E17	C7565	B5	L7502	C3	R2852	E6	X7590	D2
C2005	F16	C2404	B15	C6013	E16	C7566	B4	L7521	G4	R2853	E6	X7591	C2
C2006	G16	C2405	B14	C6015	G17	C7567	B4	L7523	G4	R2854	F9	X7592	D2
C2007	G16	C2411	C15	C6016	F17	C7568	A4	L7524	G6	R2855	F9	Z	
C2008	G17	C2414	C15	C6017	F17	C7569	B3	L7525	F4	R2858	D8	Z2000	G16
C2009	G17	C2701	C16	C6022	E16	C7570	H3	L7526	C4	R2859	D8	Z2450	G9
C2012	C17	C2702	C15	C6023	F16	C7571	B4	L7540	D5	R2860	D14	Z2451	F9
C2018	D17	C2703	B15	C6024	F17	C7572	A4	L7541	E3	R2861	F9	Z2501	H9
C2019	D17	C2704	C15	C6025	G16	C7573	B4	L7560	B5	R2862	G8	Z2502	C16
C2020	C17	C2800	G7	C6200	H13	C7574	A4	L7561	C5	R3200	B7	Z3300	B16
C2021	D17	C2801	G7	C6201	I13	C7575	F3	L7562	B3	R3300	E10	Z3301	B15
C2022	D17	C2802	G7	C6202	H13	D	L7563	G3	R3302	E11	Z4405	H9	
C2023	C17	C2805	G8	C6203	I14	D2800	E8	L7575	E5	R3367	F10	Z6000	F17
C2030	G15	C2806	F6	C6204	H13	D3000	E8	N	R3392	I4	Z6200	I12	
C2033	D16	C2808	D7	C6205	H14	D3300	E10	N1101	B10	R3393	I4	Z7521	F4
C2034	D16	C2810	D8	C6206	I14	F	N1102	I6	R3394	I5	Z7523	G5	
C2040	B9	C2811	D9	C6207	H13	F2000	C17	N1103	B16	R6006	F16	Z7540	E4
C2070	A3	C2814	G8	C6209	I14	F3300	B15	N1400	H15	R6008	F16	Z7541	E4
C2071	B2	C2816	G8	C6210	I14	G	N1401	E11	R7500	G3	Z7542	E5	
C2072	C2	C2817	G7	C6211	H13	G2200	I12	N1402	F11	R7501	H5	Z7543	G5
C2073	B11	C2818	G7	C6212	H14	G6200	H13	N1520	H11	R7502	G5	Z7544	G5
C2103	B14	C2820	F6	C7500	G3	G7500	H5	N2000	G16	R7504	G4		
C2104	B14	C2821	E6	C7501	H5	L	N2001	C16	R7505	H4			

